



**NARNARAYAN SHASTRI INSTITUTE OF TECHNOLOGY**  
(Department of Electronics & Communication)



**Sanket soni(120343111005)**  
**Yashpal gadhavi (080340111005)**  
Contact No.8866697148  
**Internal Guide:- Mr. Shailesh Beldar**

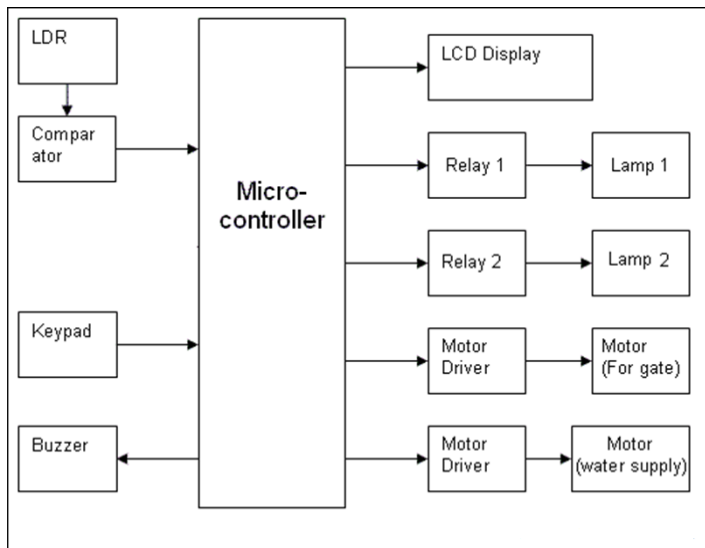
**Project Title : SMART GARDEN AUTOMATION USING 8051 MICROCONTROLLER**

**Abstract:-**

This project is based on automation of public garden. Our project helps to overcome all these problems like wastage of electricity, Water wastage. We are trying to defeat this problem by using 8051 microcontroller as controlling device. With the use of microcontroller we try to make the garden equipments fully automatic. So there is not such type of problems faced. If there is need of 5 to 10 workers it will reduce the man work on sight. We can make our garden fully automatic and manageable.

Here our aim is to resolve the problem associated with the garden and try to save energy and water.

**Block /circuit Diagram:-**



**Major Hardware components used:-**

8051 microcontroller , motor driver L293D, Dc motors, LCD, LDR, Relay

**Software used:-**

KEIL  
Proteus  
edsim

**Project Application:-**

- (1) This project is mainly used at public garden which is maintained by municipal corporations
- (2) This project can also be used at private gardens like company or universities or educational premises like school / colleges
- (3) With little modifications, this project can be used in industries for controlling the machines at specific interval of time.

**Approx. Project Cost:-2500-3000**