



**NARNARAYAN SHASTRI INSTITUTE OF TECHNOLOGY
ELECTRICAL DEPARTMENT**



Kirtanbhai Hemantbhai Shah(110340109019), Parth Dharmeshbhai Jani(110340109023), Nitesh Omprakash Khatik(120343109006)

Contact No.:-9427964682

Internal Guide:-Tapan Patel

,External Guide :-Parthiv Shah

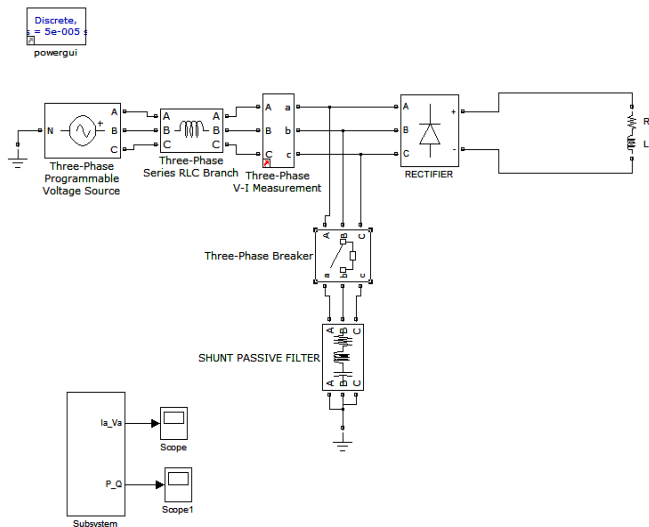
Project Title:-Harmonics Reduction in power System

Abstract:- In 21st century, the power requirement increases with development. The unwanted component of power system is harmonics. It causes corona losses, interference into the telephonic lines, increases core losses, heating in machines etc. To keep the transmission losses ought to be minimum. so we have taken the harmonics as our main field and trying to reduce it in power system. Passive filters are the solution of reducing power loss in transmission lines.

Project Photo:-



Block /circuit Diagram:-



Major Hardware components used:-Fixed Capacitor, Specified Inductor

Software used:-Matlab

Project Application:-

(1)Used in transmission lines.

Approx. Project Cost:- xxxxx