



NARNARAYAN SHASTRI INSTITUTE OF TECHNOLOGY ELECTRICAL DEPARTMENT

Name: Joshi Akash Mahendrabhai (Enrollment no-090340109017)

Contact No. 9429184271

Internal Guide: - Mrs. nayana prajapati



Project Title:- Energy meter with voice alert by using micro-controller

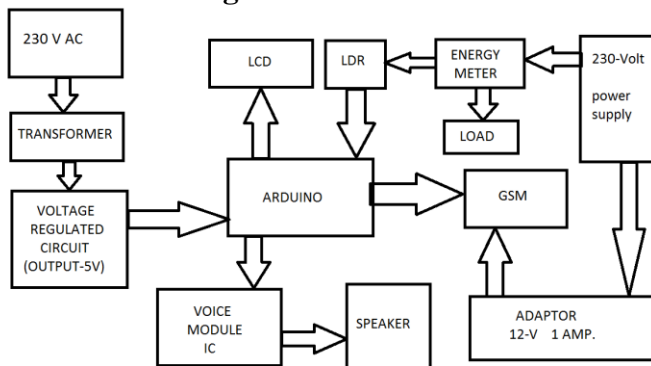
Abstract:- The purpose of this project is to build an energy meter that can alert the users with voice messages. This Energy Meter is useful for the busy people who cannot concentrate on the energy meter readings because of their busy schedule. The Audio Module of this energy Meter system alerts the user through audio signal about power consumption, bill due dates, meter overloading. This system also consists of a LCD display that continuously displays the energy meter readings in real-time. These readings display on a LCD display. This can be done by the use of micro-controller unit that continuously monitors and records the Energy Meter readings in its permanent memory location. Micro-controller also drives the voice module to play the voice messages based on the energy meter readings.

Application:

- (1) help us to concentrate on electricity use of our home by voice alert by voice module and message send by gsm of electricity use on our mobile.
- (2) we can see our everyday's bill of electricity on lcd display with unit and ruppees.
- (3) We can use this energy meter in industry and home and offices for concentrate on our daily electricity use.

Approx. Project Cost : 7500/-

Block /circuit Diagram:-



Project Photo:-



Major Hardware components used:- ARDUINO, LCD, GSM, VOICE MODULE.

Software used:- ARDUINO