

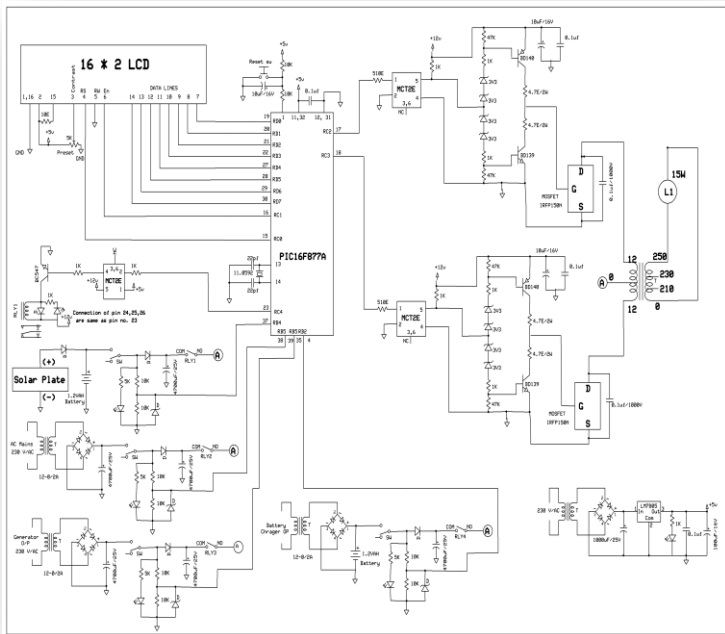


NARNARAYAN SHASTRI INSTITUTE OF TECHNOLOGY ELECTRICAL DEPARTMENT

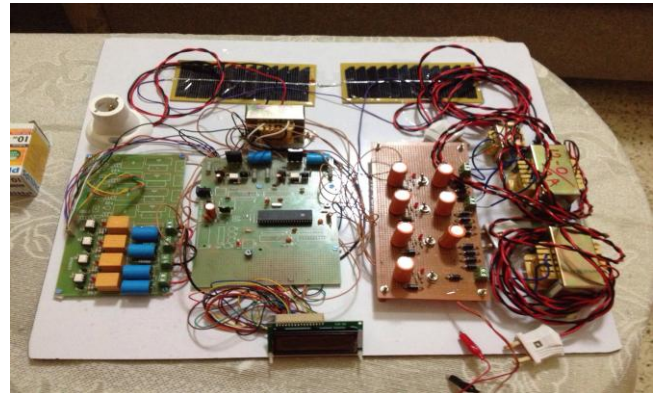
- 1) PATEL JAIMIN R. – 110340109030 (contact no: 7567123764)
- 2) PATEL HARSH R. – 110340109033(contact no: 9725114994)
- 3) SADATIYA MAYANK R.- 110340109057 (contact no: 7383834419)
- 4) BAROLIYA MAYUR R.- 120343109010 (contact no: 9173323113)

INTERNAL GUIDE:- NIMESH R. SAXENA, ASSISTANCE PROFESSOR, NSIT, JETALPUR.

PROJECT TITLE:- AUTO POWER SUPPLY CONTROL



ABSTRACT:- the main objective of this project is to give uninterrupted power supply to the load. there are four sources like solar, generator, ac mains, and inverter. If there will be any fault in running source the load automatically transfer to other source with the use of micro controller.



HARDWARE:- solar plats, batteries, transformers, opto coupler, relays, lcd, capacitors and resistors, mosfet.

SOFTWARE:- PIC-CONTROLLER

APPLICATION:- hospitals, theaters, industries, emergency services.

COST:- 4500/-