



**NARNARAYAN SHASTRI INSTITUTE OF TECHNOLOGY  
MECHANICAL DEPARTMENT**



**Harsh N. Bhatt(110340119105) Meet J. Chandat(110340119098)**

**Swapnil A. Thaker(110340119114)**

**Contact No.9099090356, 9537771775, 7405392198**

**Internal Guide:-Mr. Pratik Vataliya**

**Project Title:-Automated Steam Based Car washing Plant(Prototype)**

**Abstract:-**

The car washing machine is a widely used machine for washing cars, even bikes sometimes without much of manual load. A variety of car washer machines and techniques exist today be it the completely automated tunnel washes or machines operated by user. Though the hand operated machines mostly focuses on spraying the water and in some cases the soap solution to the car body and the user has to use his other hand to squeeze and soak the solution using a sponge which makes the work tedious. Steam car wash uses steam to wash and clean car’s exterior as well as interior. Steam jet is totally safe on car surfaces when used in right way. Steam has sanitizing and deodorizing effects. The special feature of steam car wash is its eco-friendliness and user friendliness.

- Small Mechanical Heat Producer ( Steam Boiler)
- Sensors & Control ( For Safety Standard)
- Vacuum Exhaust
- Conveying Pipe Structure

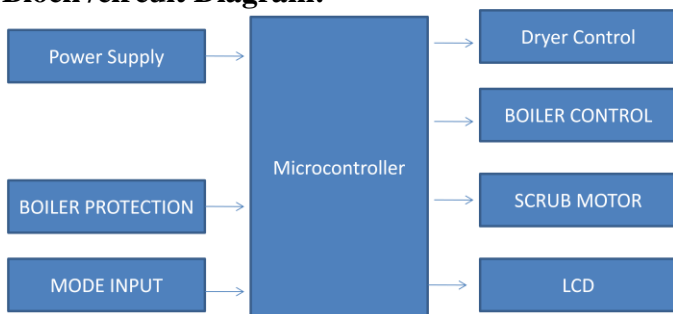
**Project Application:-**

THE STEAMER CAN REACH TO EXTERIOR AND INTERIOR AREAS.

- A STEAMER CAN CLEAN SEATS, CONSOLES, DASHES,AIR-VENTS, DOOR POCKETS, CUP HOLDERS ,DOOR JAMBS, ETC.
- STEAM USUALLY DRIES IN NO TIME.
- THE STEAMER CAN CLEAN HARD SURFACES INCLUDING YOUR CAR’S WINDOWS PROPERLY.
- THE STEAMER CAN REMOVE DIRT FROM ROOF, CARPETS, SEATS AND MATS.
- IN STEAMER WET STEAM IS USED.
- NO HIGH CHEMICAL CONTAINING CLEANING PRODUCTS ARE NEEDED.

**Approx. Project Cost:-Rs.6350/-**

**Block /circuit Diagram:-**



**Major Hardware components used:-**

- Relay Circuit
- Micro Controller
- LCD(Physical Graphics Interface)

**Project Photo:-**

