



# NARNARAYAN SHASTRI INSTITUTE OF TECHNOLOGY

## MECHANICAL DEPARTMENT



110340119120- Kaswala Nikunj Madhubhai  
 110340119121-Bhatt Darshan R.  
 110340119123-sharma Dindayal R.

Internal Guide:- Ravi Kalotra

External Guide :-Snehal Patel

Project Title:- Pneumatic Crane

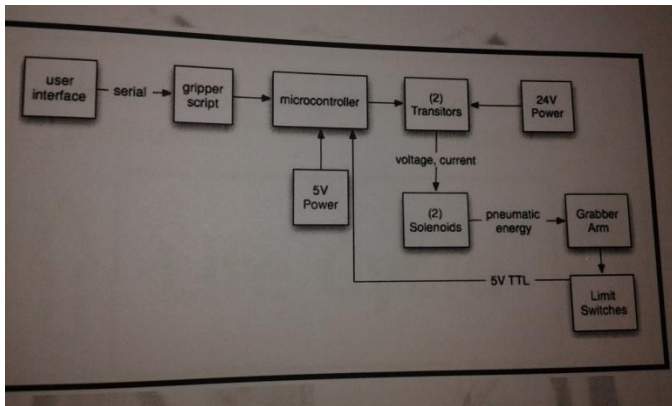
Abstract:-Pneumatic Crane is use of Improving Material Handling With Use Of It With Advance Safety Features Using PIR Motion Sensor.It is Designed Automatically Or Manually Load The Raw Material With help Of Neodium Rear Earth Magnet With Use Of Various Components Like Double Acting Pneumatic Cylinder,5/2 Way Manual Valve,Step up Transformer,Shifter. By the use of Component the Assembly of It Done By The Passive Infared Motion Sensor With Advance Safety Improvement.Its generally Equiped With Wire Rope And sheaves,That Can Be Hoist Lower material And to Move Horizontally.

(5)Implementation In Indusrtial Safety And better Material Handling Facilities

Approx. Project Cost:-9500 to 10500

Project Photo:-

Block /circuit Diagram:-



Major Hardware components used:-Pneumatic Cylinder,compressor,Proportional valve,shifter,Air tank,PIR motion sensor,Rear earth neodium magnet

software used:-Sketch up pro,Autocad 2014

Project Application:-

- (1)Industrial Sectors
- (2)Manufacturing Industries And Small scale various Indusrties
- (3)Fabrication Industries
- (4)For Various Government Sectors And Automobile Indusrties